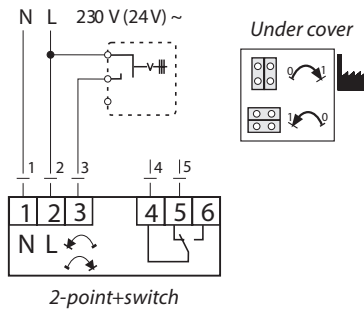
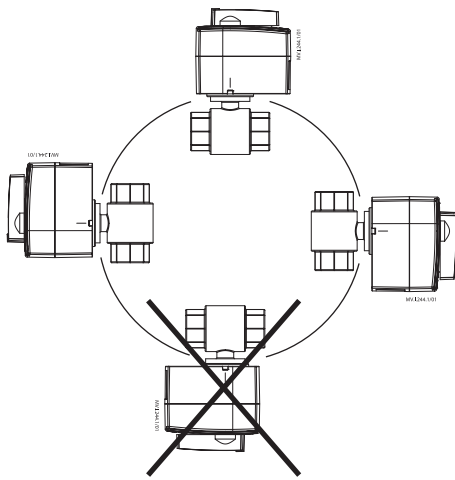
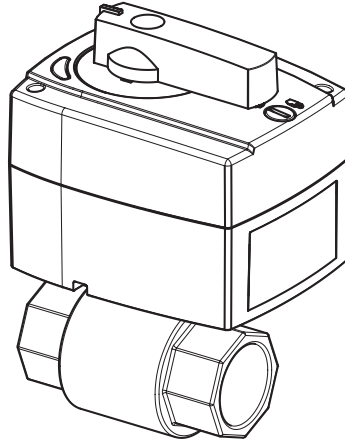


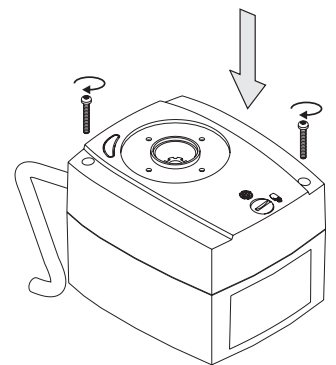
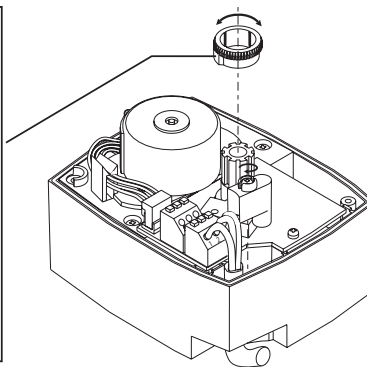
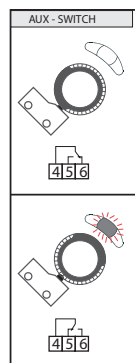
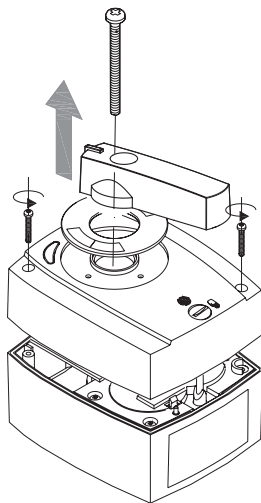
Installation Guide

AMZ 112, AMZ 113



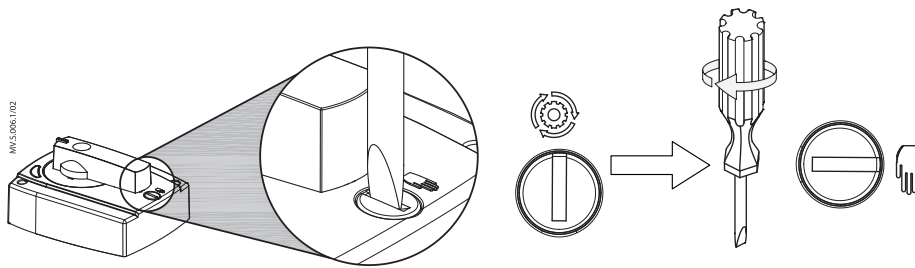
Direct/Inverse function

Jumper	Wiring	Open Port
DIR	L = 2	AB-B
	L = 2 & 3	AB-A
INV	L = 2	AB-A
	L = 2 & 3	AB-B



Installation Guide AMZ 112, AMZ 113

1



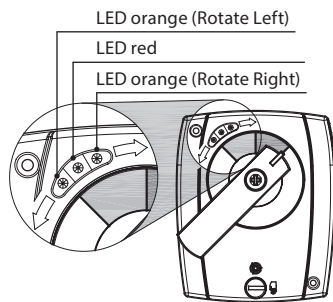
2



① AMZ 112

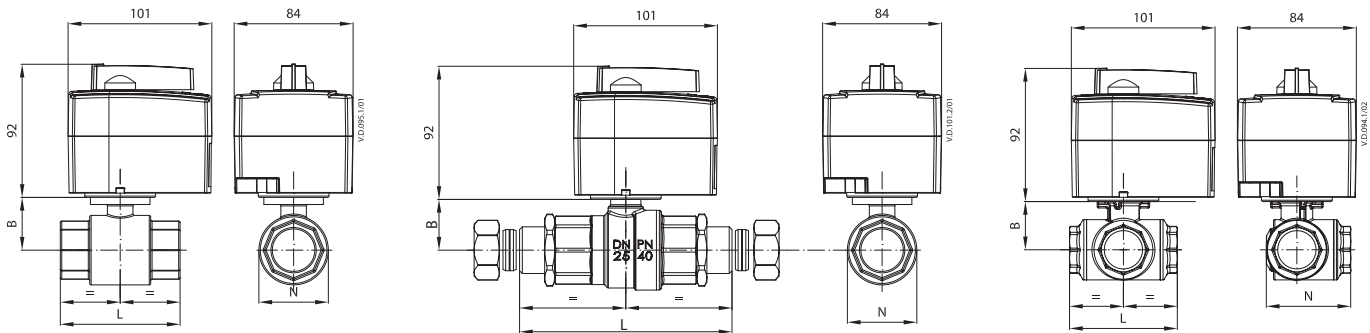
② AMZ 113

3



AMZ 112/113

LED color	2-point
orange	Rotation Left / Right
red	AUX switch activation



AMZ 112

DN	Connection	L	B	N
	G	mm		
15	½"	61	29,4	37
20	¾"	69,5	33	37
25	1"	84,5	37,2	42
32	1¼"	98,5	47,5	42
40	1½"	110	53	42
50	2"	130	64	48

AMZ 112

DN	Connection	L	B	N
	G	mm		
15	Cu-Cu 22	103	29,4	37
20	Cu-Cu 22	111,5	33	37

AMZ 113

DN	Connection	L	B	N
	G	mm		
15	½"	64,5	38	49,5
20	¾"	76	42	59,5
25	1"	97	46,5	74,5
32	1¼"	118	61,25	95,5